



**Read these instructions before installation and retain for future reference This equipment should be installed by a competent electrician**

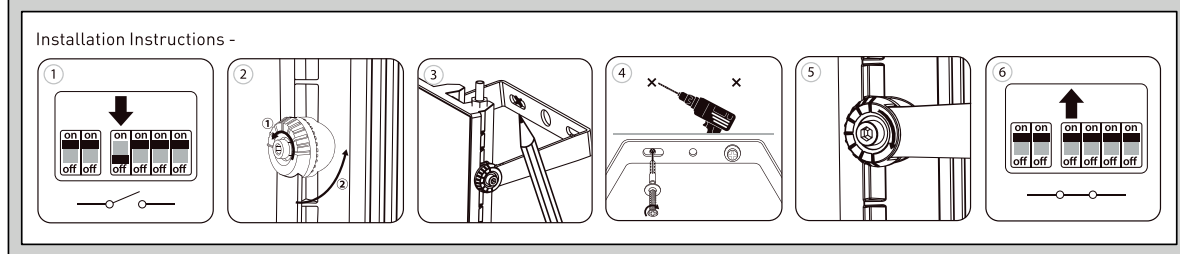
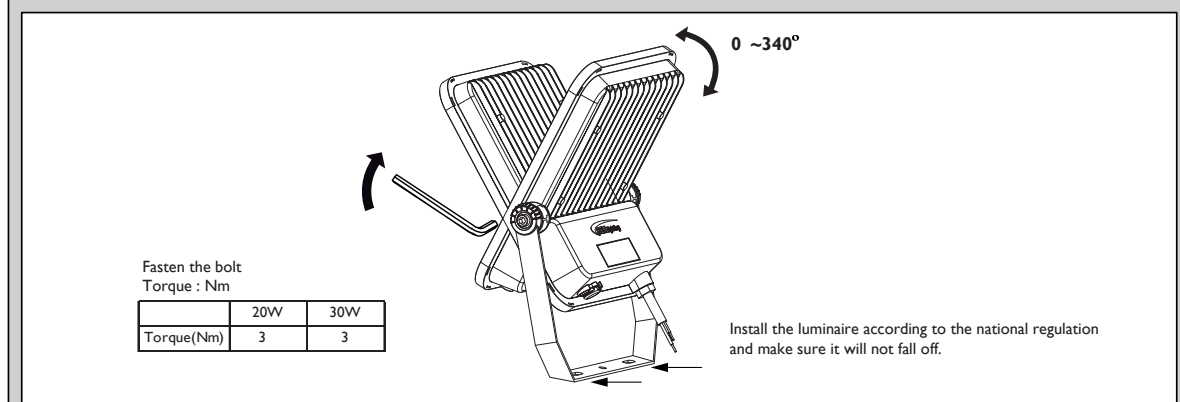
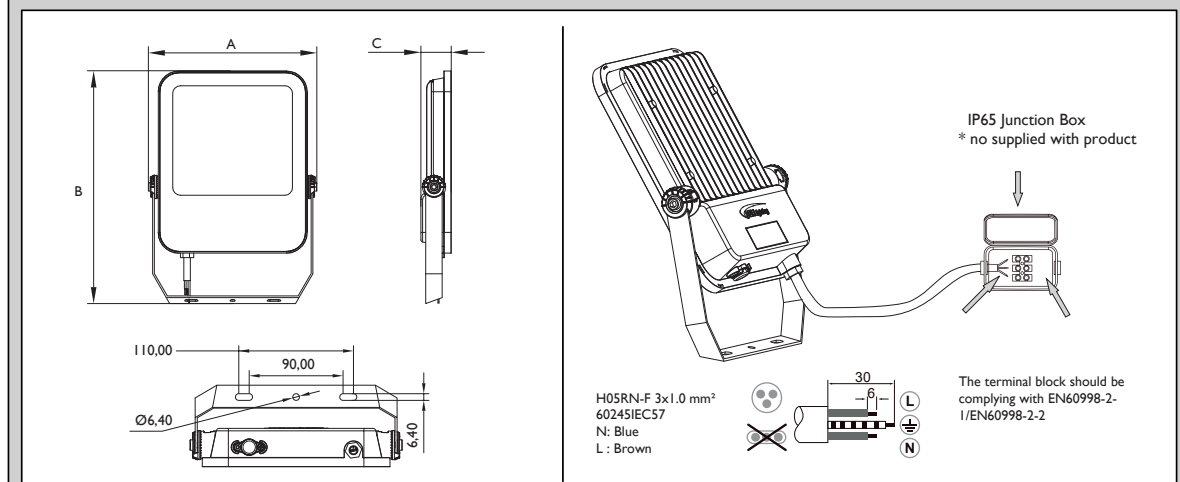
### Important Information

**We recommend that luminaires are installed by a qualified electrician ensuring the installation complies with current IEE wiring regulations BS7671:2018 & local building control.**

- BELL will not accept responsibility for any claims arising from a poor installation.
- The light source of this luminaire is not replaceable: when the light source reaches end of life, the whole luminaire must be replaced.
- Always switch off mains supply before installing.
- Operating Temperature -30°C to +35°C

Type	CCT (K)	Power(W)	LEDs	Lumen Output (lm)	Dimension	S.C.K. (m <sup>2</sup> )	kg	Voltage	Frequency	Surge rating
Bell 20W 220-240V FS	4000	20	28	1700	204x281x37	0.039	0.88	220-240V~	50/60Hz	1KV/2KV
	4000									
	4000									
Bell 30W 220-240V FS	4000	30	42	2550	204x281x37	0.039	0.96	220-240V~	50/60Hz	1KV/2KV
	4000									
	4000									

This product may contain substances that can be hazardous to the environment if not disposed of properly. Electrical and electronic equipment should never be disposed of with general household waste but must be separated for its correct treatment and recovery. Where possible recycle your packaging.



**Technical Helpline +44 (0)1924 893380**

[www.bellighting.co.uk](http://www.bellighting.co.uk)

**British Electric Lamps Ltd**, Unit A Foxbridge Way  
Normanton Ind Est, Normanton, West Yorkshire. WF6 1TN

T: +44 (0)1924 893380 F: +44 (0)1924 894320 E: sales@bellighting.co.uk